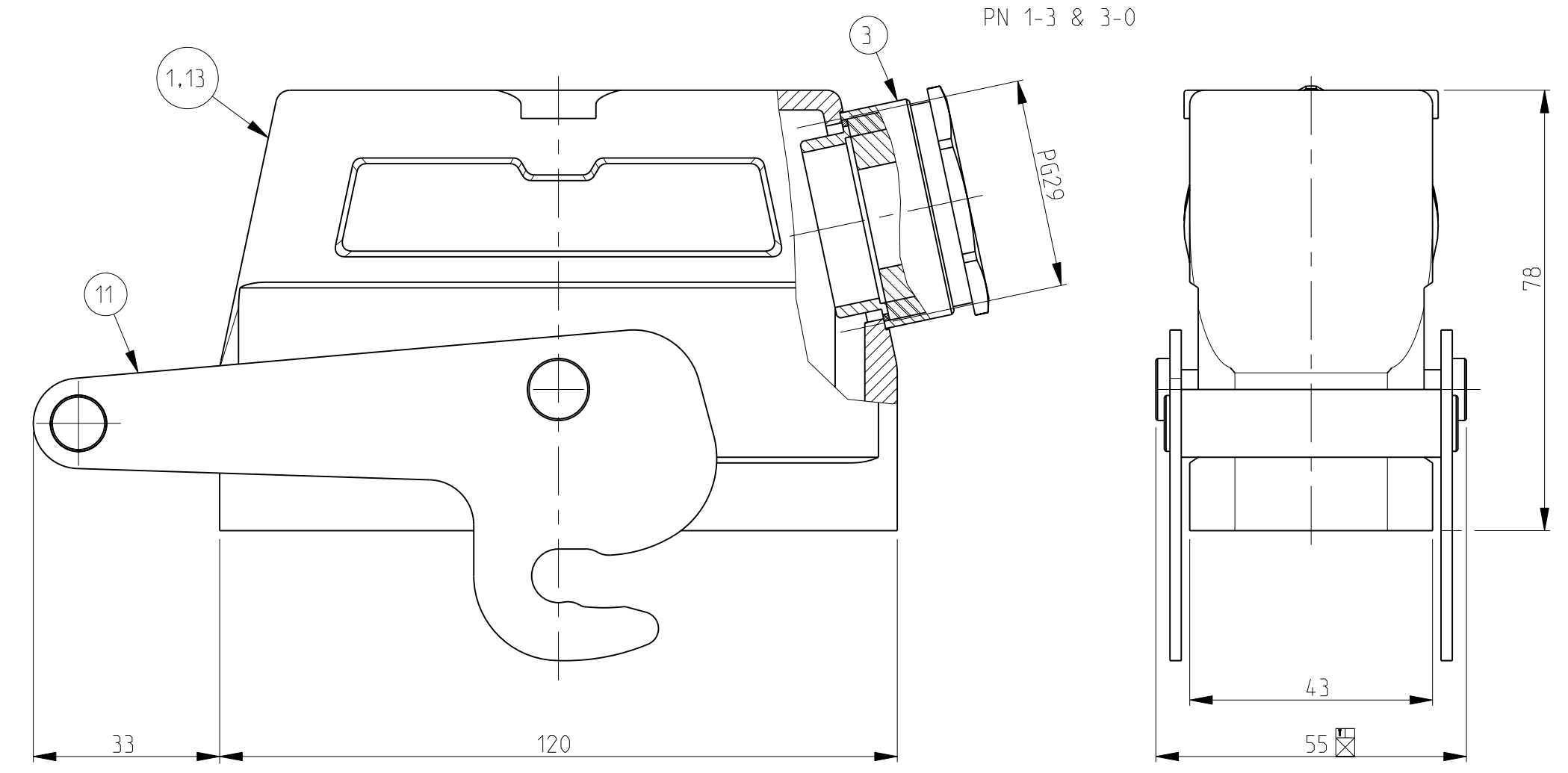
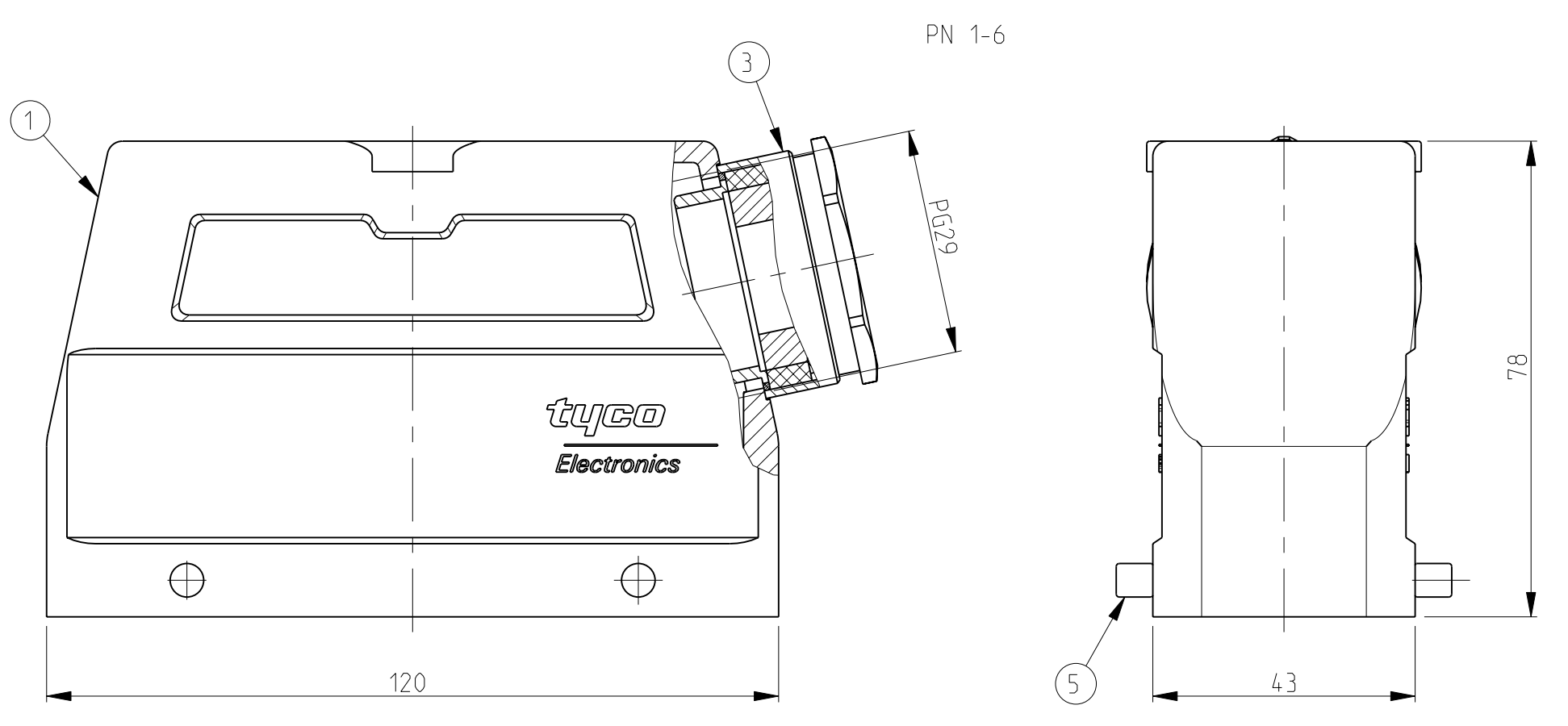
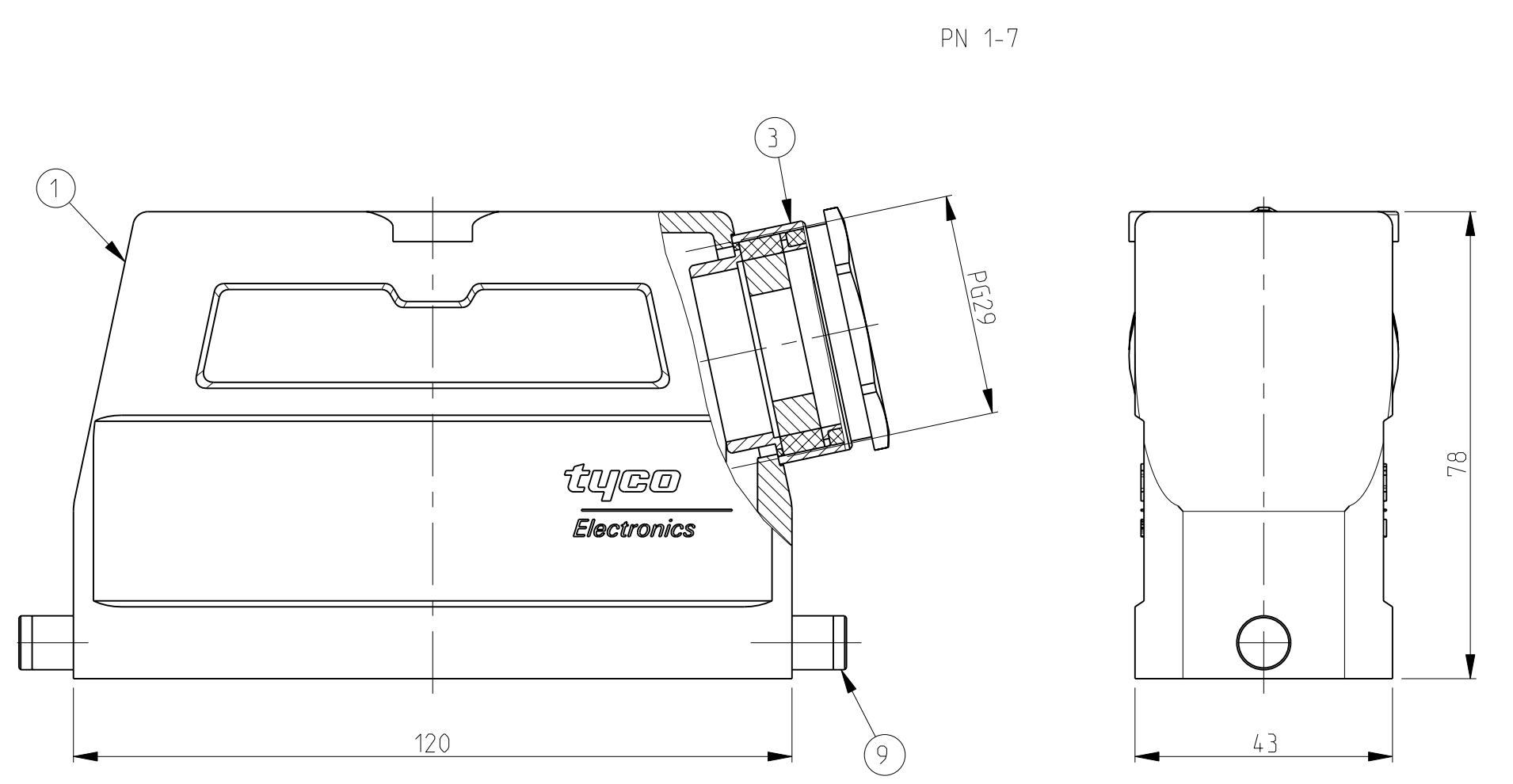
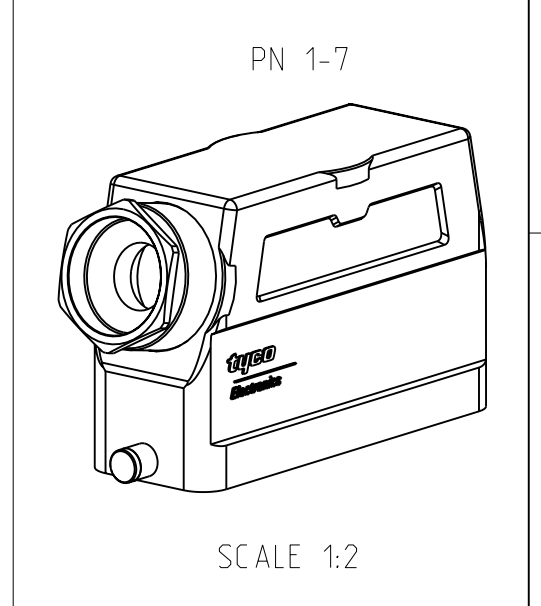
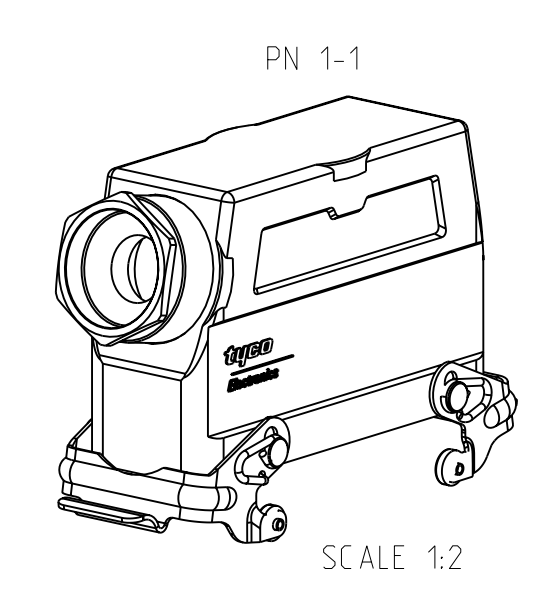
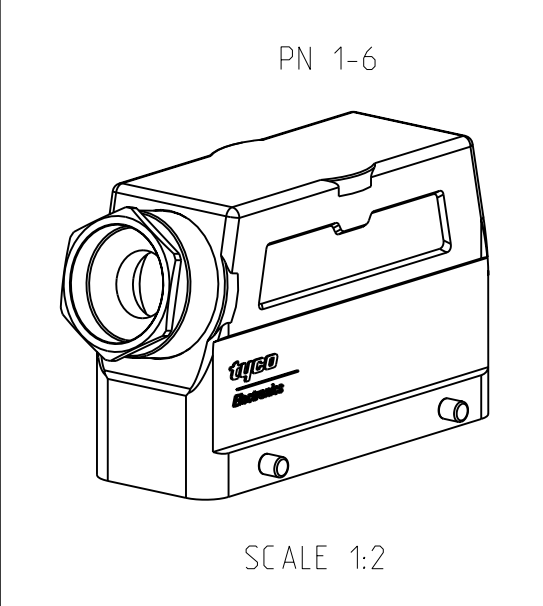
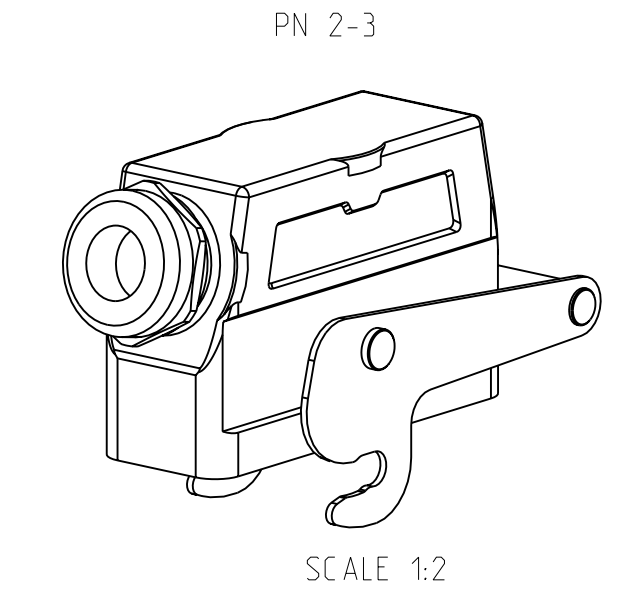
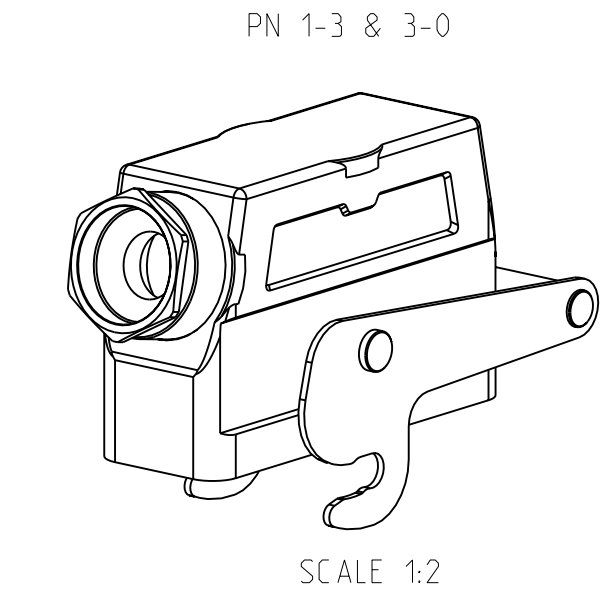
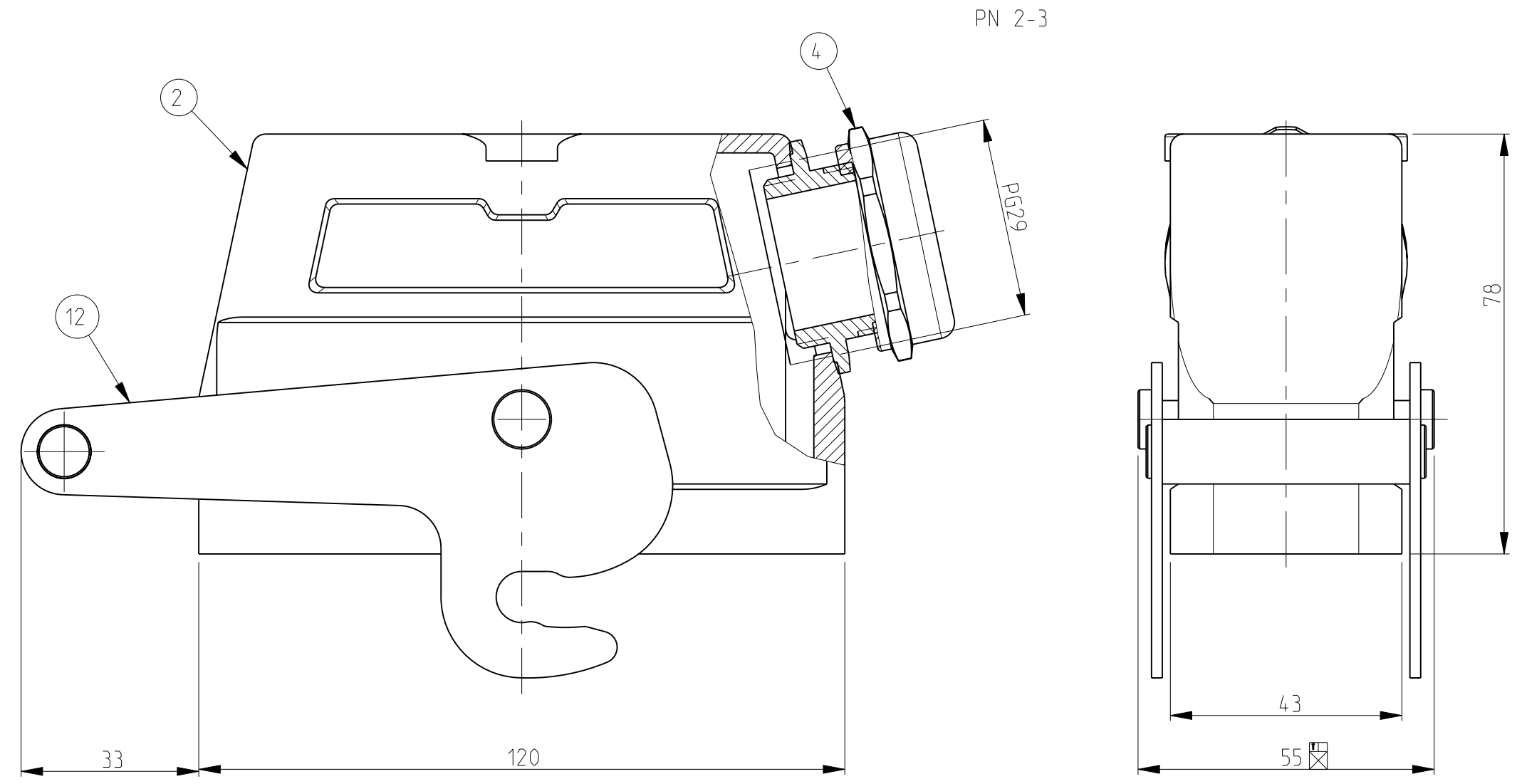
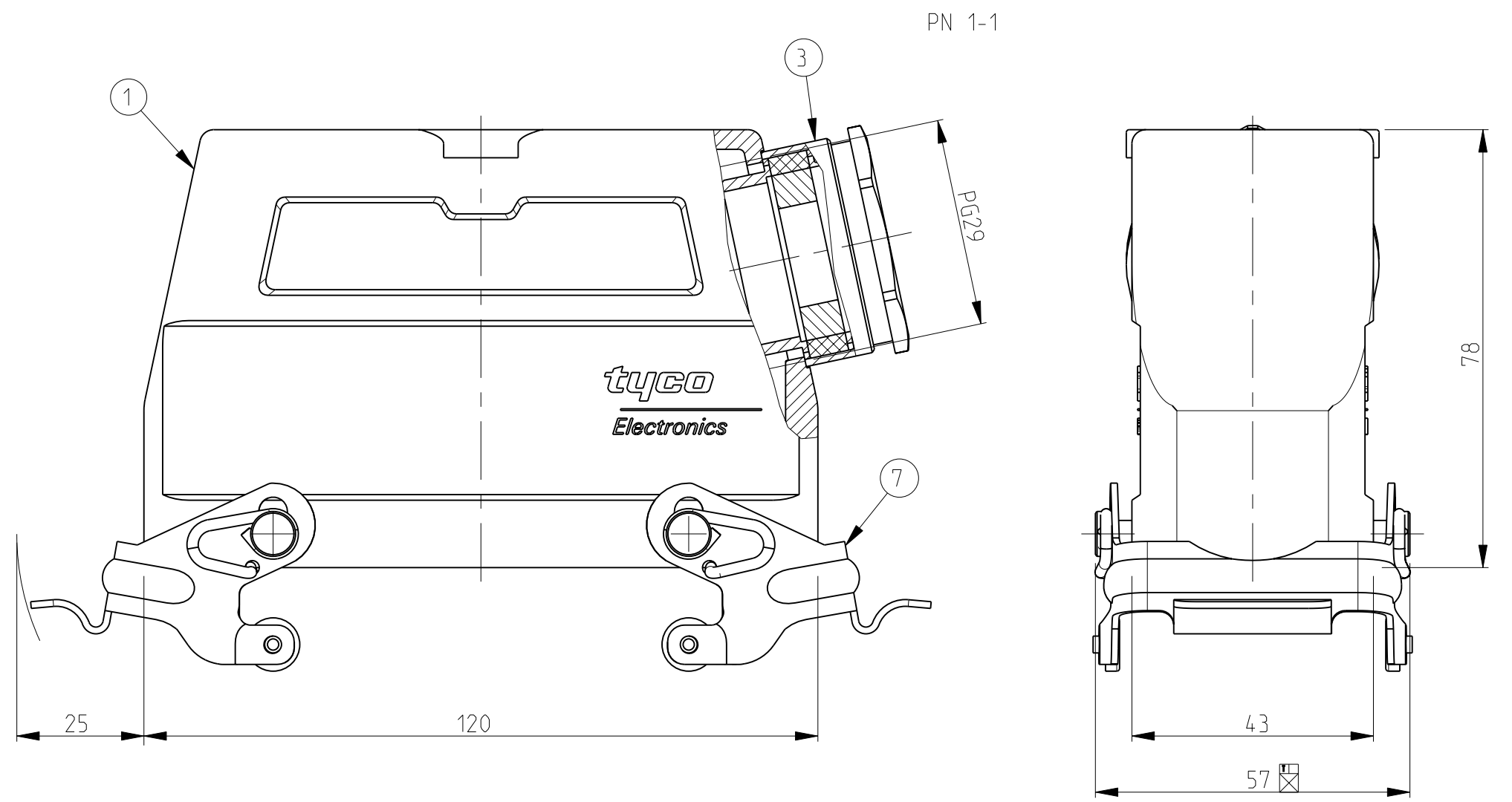


LOC	DIST	REV	DESCRIPTION	DATE	DWN	APVD
A1	-	C6	Released as per ECR-07-030424	17.12.07	SP	TS



- NOTES.
- Material:Housing:Aluminium Diecasting Alloy
  - Surface:Varnish grey:black
  - Varnish on the inside not necessary
  - Packaging  
Quantity 5 Pieces in a box



QTY	DESCRIPTION	MATERIAL	SURFACE	COLOR	ITEM NO	REMARKS
1	HD Hood	Aluminium	Lenox yellow RAL1017		13	
1	ZB-Central clip	Stainless steel	yellow RAL1012		12	
1	ZB-Central clip	Steel	Zinc plated	Blue	11	
2	LB-Clip bolt	Stainless steel			10	
2	LB-Clip bolt	Steel	Zinc plated	Blue	9	
2	VS-Side clip	Stainless steel			8	
2	VS-Side clip	Steel	Zinc plated	Blue	7	
4	VS-Clip bolt	Stainless steel			6	
4	VS-Clip bolt	Steel	Zinc plated	Blue	5	
1	Gland fitting Pg29	Brass	Nickel plated	Blue	4	
1	Cable connection round Pg29	Brass	Nickel plated	Blue	3	
1	HD Hood	Aluminium	Aluminium oxide	Black	2	
1	HD Hood	Aluminium		Grey	1	

ORDERING TEXT  
 HD.64.STS.1.29  
 HD-K.64.Sts.1.29  
 HD.64.Sts-VS.1.29  
 HD-K.64.Sts-VS.1.29  
 HD.64.Sts-GR.1.29  
 HD-K.64.Sts-GR.1.29  
 HD-Z.64.Sts-ZB.1.29  
 HD-K/Z.64.Sts-ZB.1.29  
 HD-Z.64.Sts-ZB.1.29-50

DIMENSIONS: mm  
 TOLERANCES UNLESS OTHERWISE SPECIFIED:  
 0 PL ±0.10  
 1 PL ±0.15  
 2 PL ±0.20  
 3 PL ±0.25  
 4 PL ±0.30  
 ANGLES ±0.5°

DWN: Schneider 17.07.1997  
 CHK: Schnurpfeil 17.07.1997  
 APVD: -  
 NAME: Hood HD.64  
 PRODUCT SPEC: 108-74001  
 APPLICATION SPEC: 114-74001  
 WEIGHT: -  
 MATERIAL: -  
 FINISH: -  
 CUSTOMER DRAW ING: -

Tyco Electronics Tyco Electronics AMP GmbH  
 0-53819-Neunkirchen,Germany  
 SIZE: A1 CAGE CODE: C=1102449 DRAWING NO: -  
 RESTRICTED TO: -  
 SCALE: 1:1 SHEET: 1 OF 1 REV: C6